

Electrotechnical components

## Pre-set Potentiometer / Ser. 15mm Type PNZ15



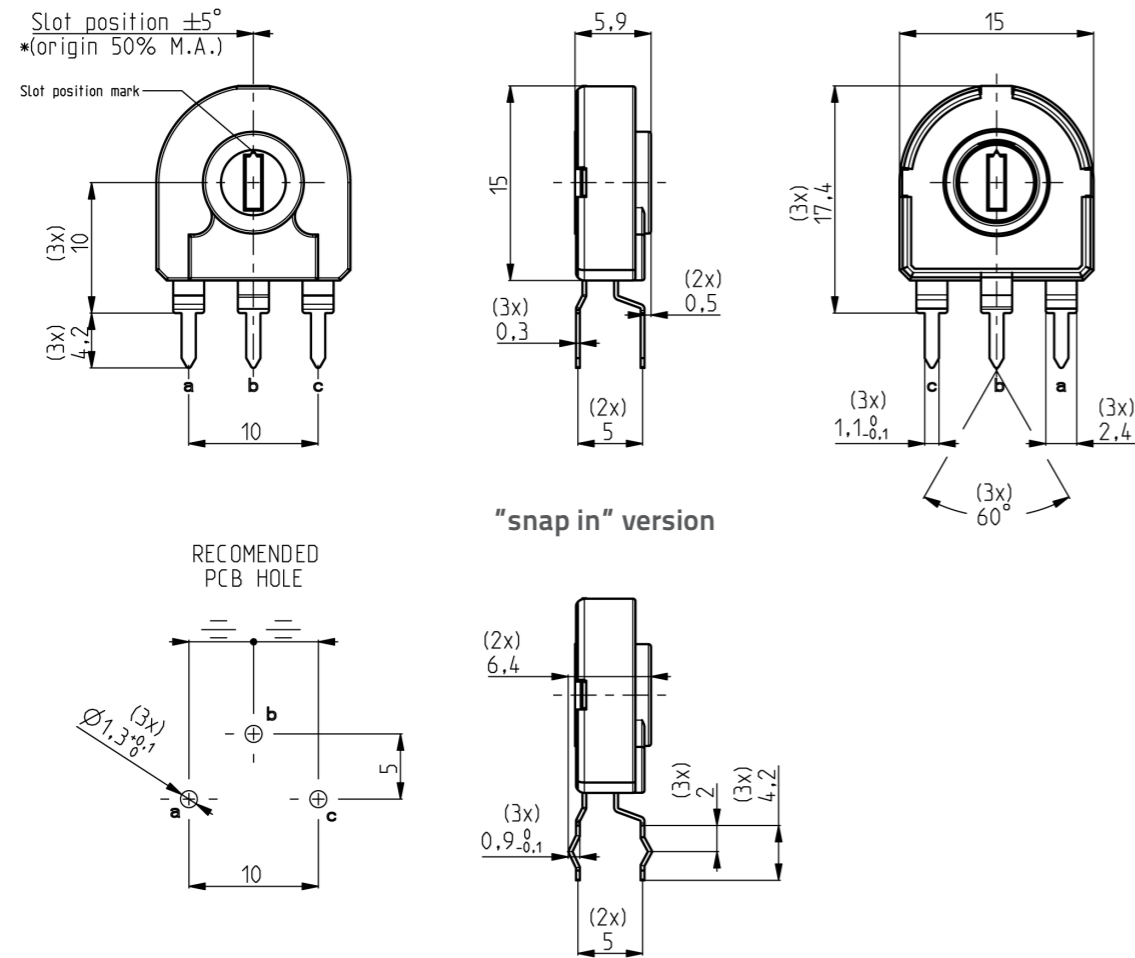
# Pre-set Potentiometer / Ser. 15mm Type PNZ15

# Pre-set Potentiometer / Ser. 15mm Type PNZ15

## Type PNZ15

- For Printed Circuits
- Mounting type body - horizontal
- Closed version
- Both side setting, insulated slider

## Product Dimensions

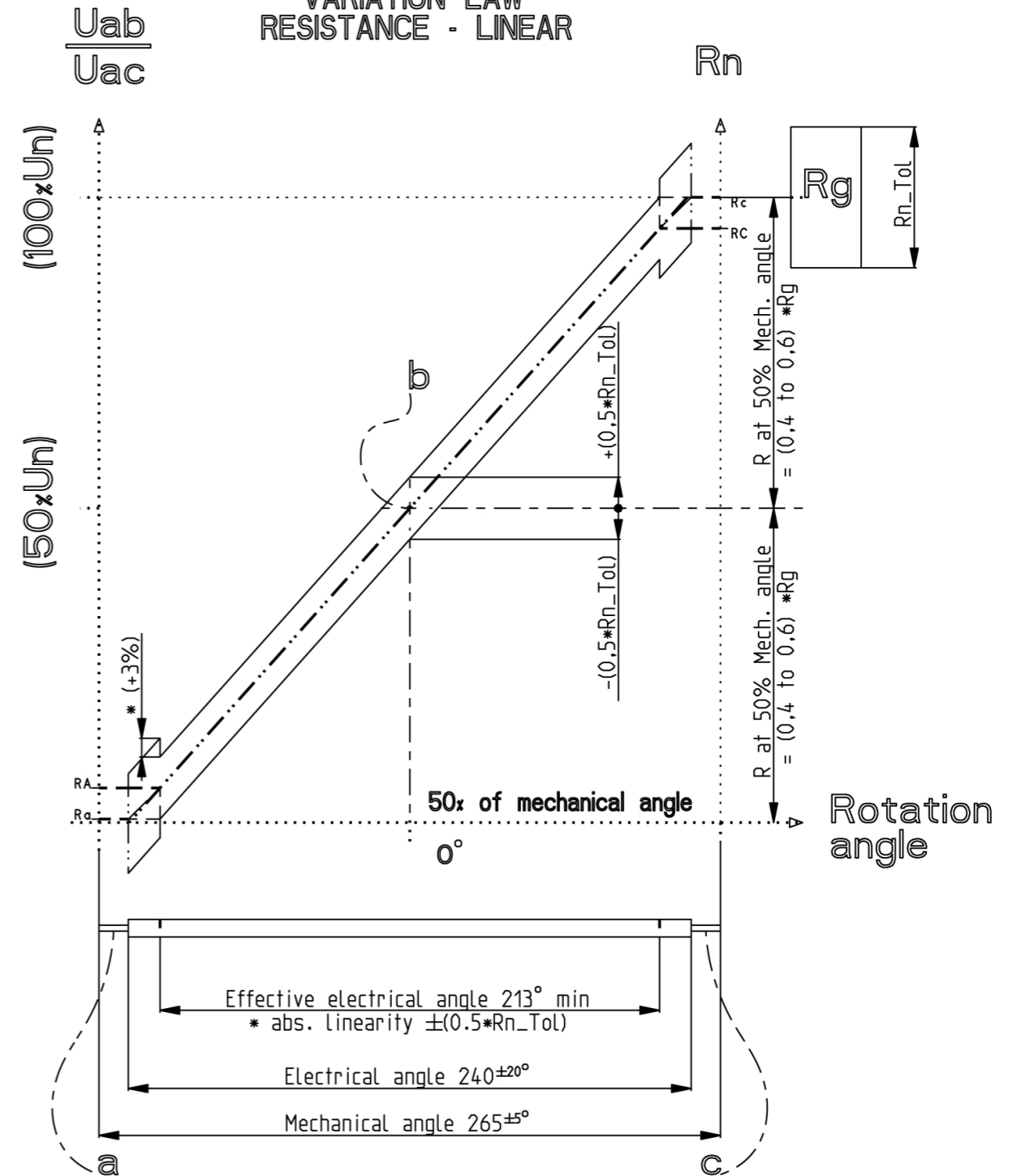


Available adjustment slots					
type	PNZ15E	PNZ15EA	PNZ15EAU	PNZ15EDU	PNZ15EB
type "snap in" version	PNZ15EX	PNZ15EAX	PNZ15EAUX	PNZ15EDUX	PNZ15EBX

All dimensions are in mm.  
Tolerance unless otherwise specified  $\neq 0.2\text{mm}$ .

2

## VARIATION LAW RESISTANCE - LINEAR



3

# Pre-set Potentiometer / Ser. 15mm Type PNZ15

## Type PNZ15

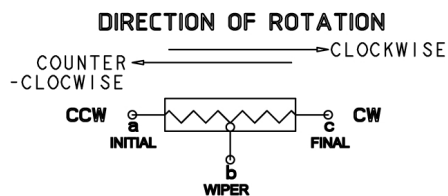
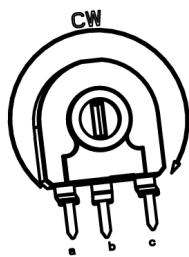
### ELECTRICAL DATA

Rated dissipation at $T_{amb} = 40^{\circ}C$ :	0,25W lin / 0,12W log
Nominal resistance value:	100 $\Omega$ to 5M $\Omega$ lin / 2,2K $\Omega$ to 2,5M $\Omega$ log / *
Resistance tolerance:	$\pm 20\%$ for values R 100 $\Omega$ to 1M $\Omega$ / * $\pm 30\%$ for values $R \geq 1M\Omega$ to 5M $\Omega$ / *
Resistance law:	lin, log+, log-, / *
Maximum operating voltage:	300VDC lin / 200VDC log
Temperature coefficient:	< 100 K $\Omega$ : $\pm 500ppm/^{\circ}K$ , > 100 K $\Omega$ : $\pm 1000ppm/^{\circ}K$
Climatic stability:	IEC 393-1 category 25/70/21
Operating temperature:	-25 $^{\circ}C$ to +70 $^{\circ}C$
Electric angle of rotation:	240 $^{\circ} \pm 20^{\circ}$ / *

### MECHANICAL DATA

Mechanical angle of rotation:	265 $^{\circ} \pm 5^{\circ}$
Operating torque:	4 to 25 mNm
End stop torque:	> 100 mNm
Weight	~ 1,5 g
Rotational life:	10.000 cycles (long life 40.000 cycles)*

\* Special characteristics and specifications on customer demand are available



Actual resistance value  $_ R_g = R_{ac}$

Nominal resistance value  $_ R_n$

$R_{ab} = R + R_p$

$R_{cb} = R + R_p$

\*  $R_p = R_a + R_b = (R_c + R_b)$

\*  $R_p = ((R_{ab} + R_{cb}) - R_{ac}) / 2$

$R_a = \max.(0,005 * R_n)$ , bat  $\min.(2 \Omega)$

$R_A = \max.(0,05 * R_n)$

We reserved the right to alter without notice the specification, design, price or conditions of supply of any product or service. No liability is assumed as a result of their use or application.